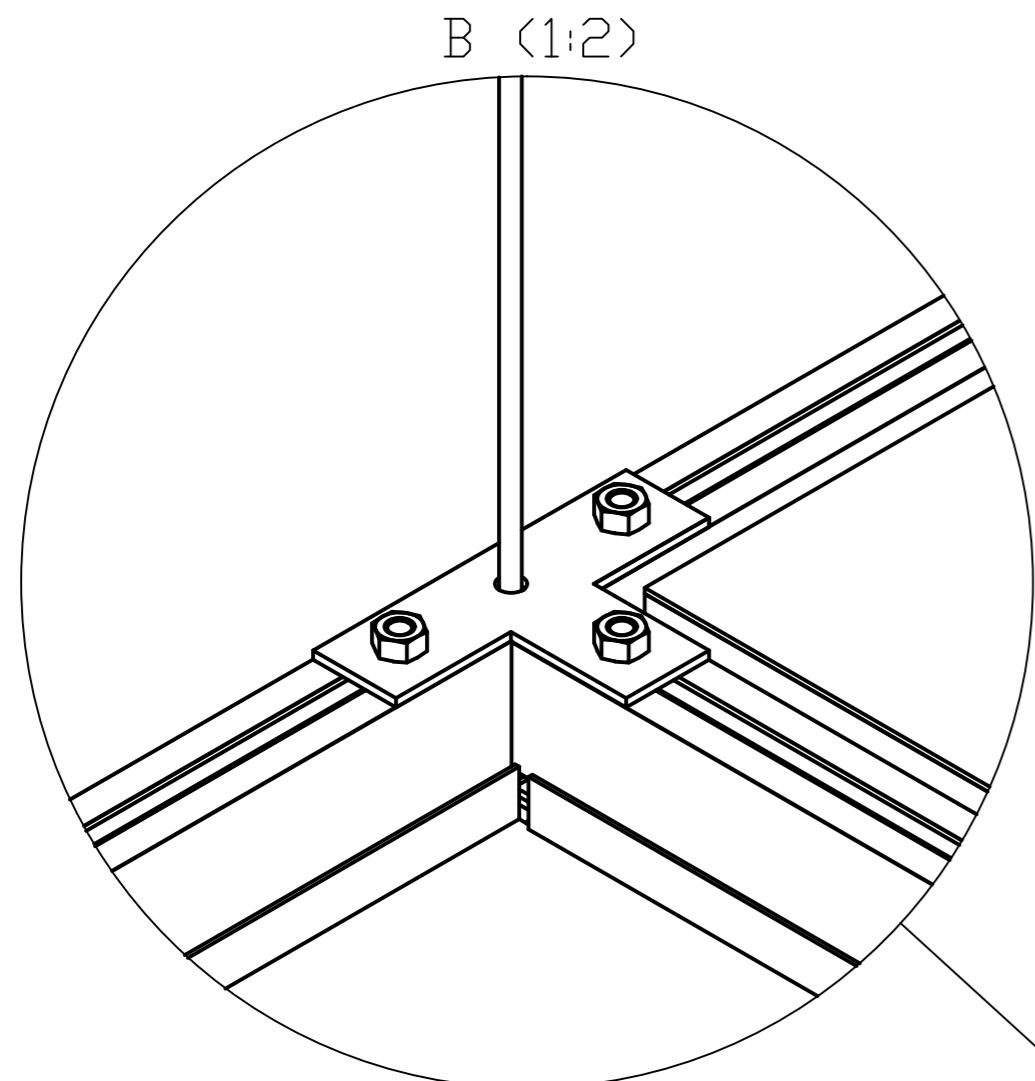
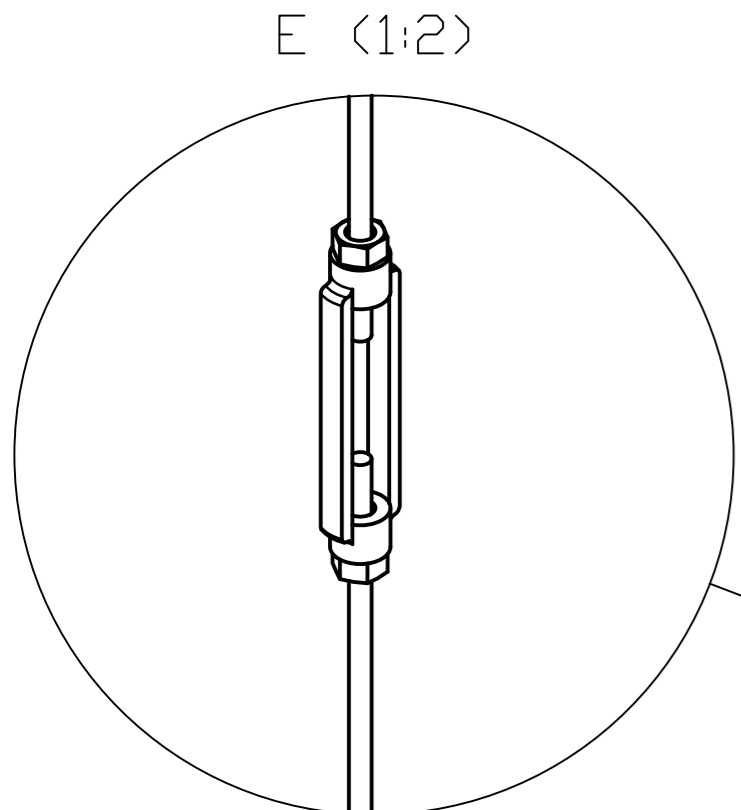


<b>Object</b>	SW10C ceiling exploded overview, with components identification
<b>Customer</b>	—
<b>Root</b>	Comesse in corso
<b>File</b>	SW10C
<b>Project</b>	SW10C ceiling structure
<b>Draw</b>	SW10C0001
<b>Scale</b>	1:8

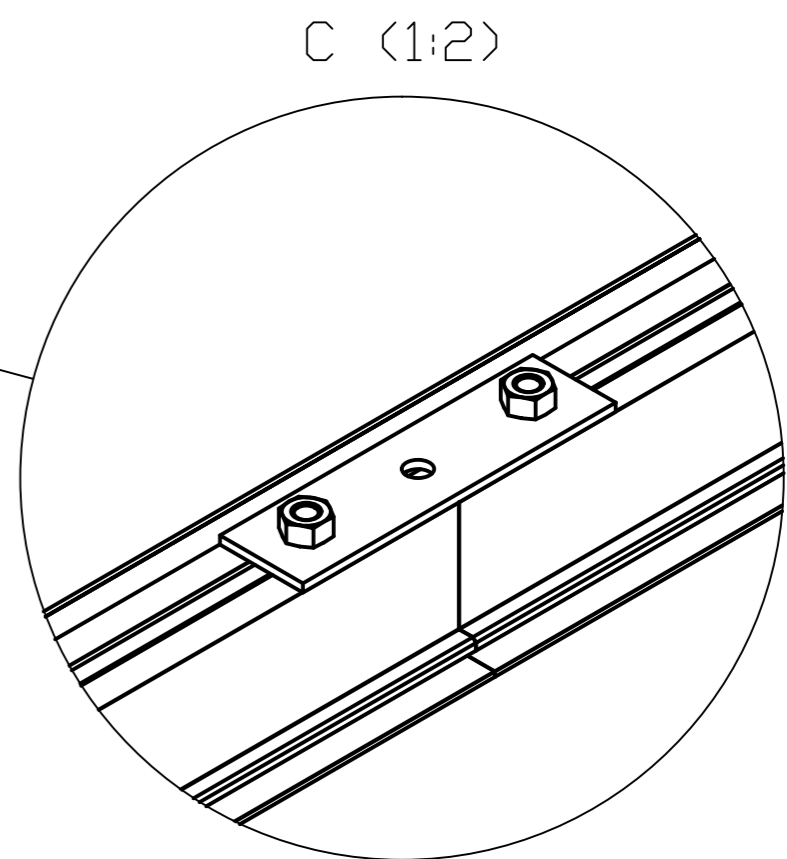
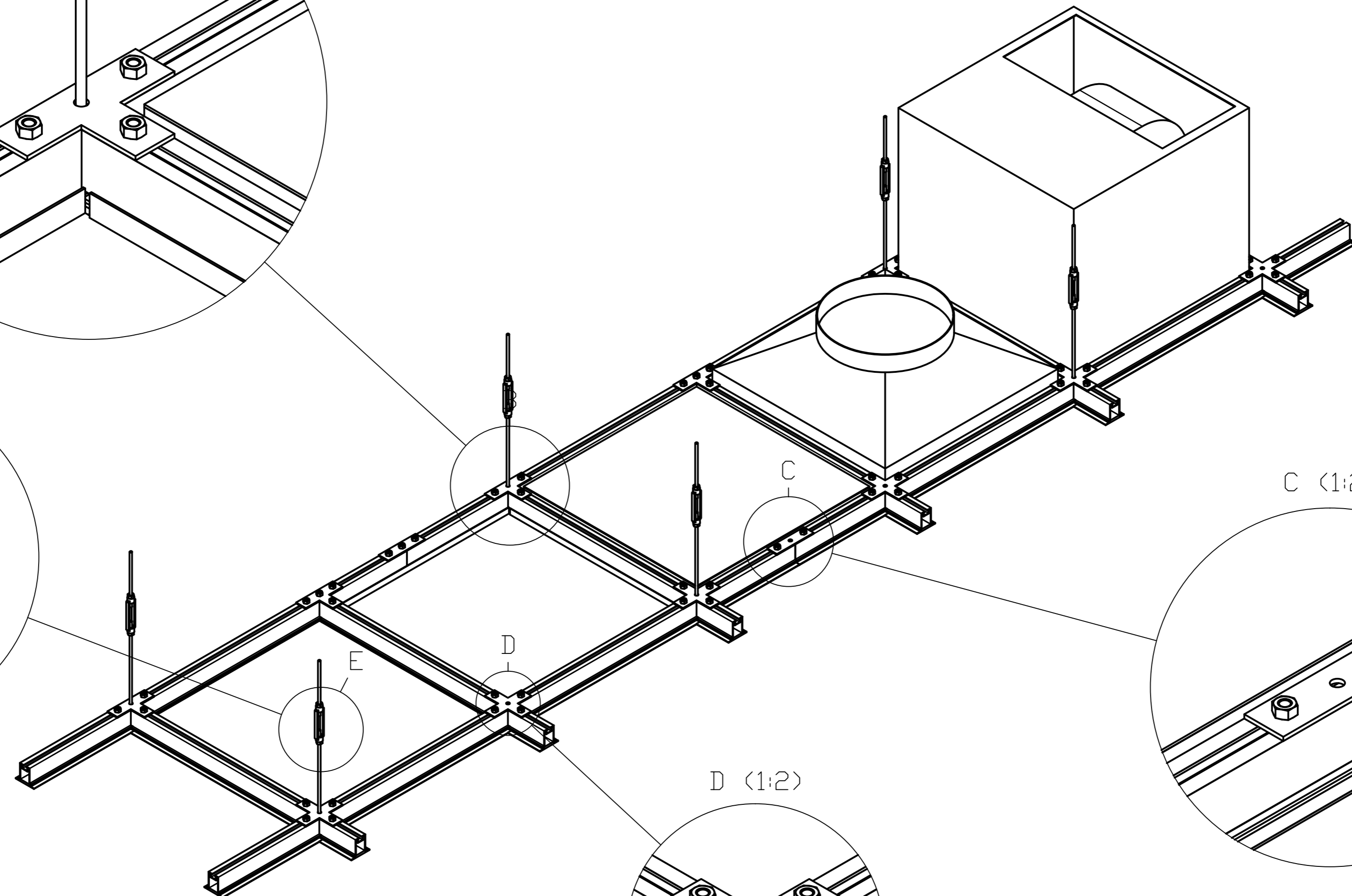




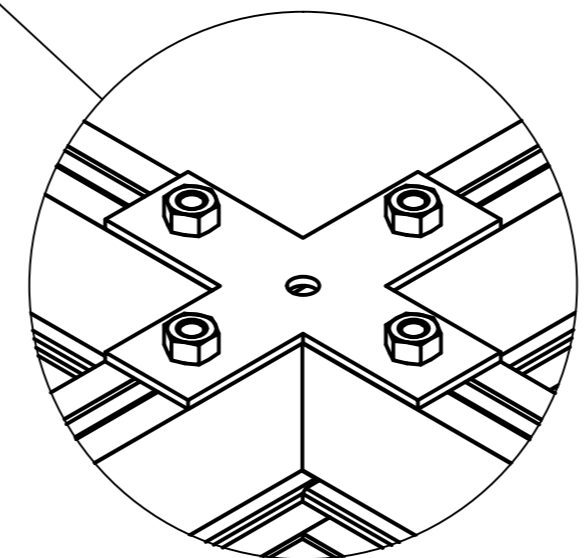
B (1:2)



E (1:2)



C (1:2)



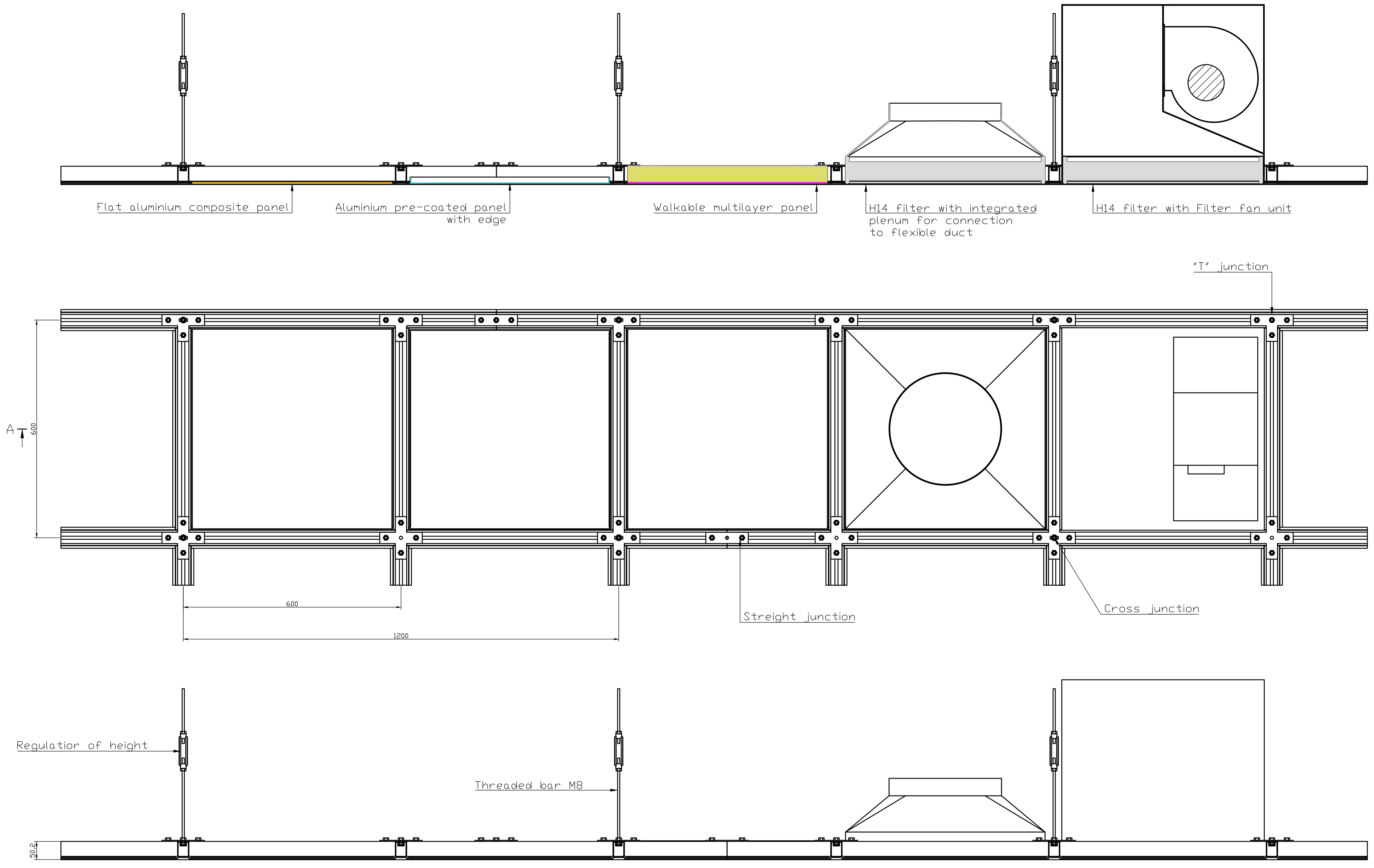
D (1:2)

<b>Object</b>	SW10C ceiling general overview
<b>Customer</b>	—
<b>Root</b>	Comesse in corso
<b>File</b>	SW10C
<b>Project</b>	SW10C ceiling structure
<b>Draw</b>	SW10C0102
<b>Scale</b>	1:5





A-A (1:5)



<b>Object</b>	SW10C ceiling general overview, with components identification, and general layout
<b>Customer</b>	
<b>Root</b>	Comesse in corso
<b>File</b>	SW10C
<b>Project</b>	SW10C ceiling structure
<b>Draw</b>	SW10C10101
<b>Scale</b>	1:5

